



SS661HF

MITSUBISHI TRITON ML & MN SERIES

3.2L DiD (4M41 Engine) &
2.5L DI-D Common Rail (4D56 Engine)



3/3/2010

Parts List

ITEM	PART NO.	DESCRIPTION	QTY
1	525-133-000	BODY - SNORKEL (SS660HF)	1
2	000-135-800	3 ½" AIR RAM ASSEMBLY	1
3	525-032-000	BRACKET - UPPER MOUNTING	1
4	000-002-100	BOLT - HEX - 6mm x 1.0 x 14mm (SEMS)	3
5	000-951	SCREW - S/T - 4.2mm x 13mm	3
6	000-960	INSERT - PLASTIC	3
7	000-110	STUD - S/S - 8mm x 1.25 x 25mm O/L	8
8	000-352	WASHER - BODY - 8mm x 45mm - S/S	4
9	000-311-300	WASHER - BODY - 8.5mm x 32mm - S/S	4
10	000-205-300	NUT - NYLOC - 8mm x 1.25 - S/S	8
11	525-024-200	HOSE - AIR ENTRY	1
12	525-023-200	ADAPTOR - AIR CLEANER	1
13	000-958-300	POP RIVET - 4.8mm x 12mm	3
14	000-909	CLAMP - HOSE - 80/100mm	2
15	525-098-200	BOTTLE - RADIATOR OVERFLOW - PLASTIC	1
16	525-098-300	CAP - OVERFLOW BOTTLE - 38mm ID - WHITE	1
17	525-096-000	BRACKET - OVERFLOW BOTTLE MOUNTING	2
18	000-1018-300	BOLT - B/H - 5mm x 0.8 x 8mm - S/S	2
19	000-951-500	SCREW - S/T - 4.8mm x 16mm	2
20	000-917-100	CLAMP - SPRING - 5/16"	1
21	000-530	ADAPTOR - HOSE - 8mm/8mm	1
22	000-838-035	HOSE - RADIATOR OVERFLOW EXTENSION	1
23	000-987-100	CABLE TIE - 2.5mm x 100mm	3
24	000-914/B	CLAMP - HOSE - SIZE 56 (BLACK)	1
25	525-017-000	TEMPLATE - SNORKEL BODY	1



SS661HF

MITSUBISHI TRITON ML & MN SERIES

3.2L DiD (4M41 Engine) &
2.5L DI-D Common Rail (4D56 Engine)

Installation Guide

1

Fitment to:

- Right Hand Side

Fitting Time:

- 180min

Special Tools:

- 95mm hole saw
- 102mm hole saw
- 3.5mm, 5.0mm & 8mm drill bits
- step drill
- pop-rivet gun
- Loctite (thread lock)
- Sikaflex 227 (adhesive sealant)
- touch-up paint

Prior to commencing the installation, it is the installer's responsibility to verify that all components and particularly the template (Item 25) are correct).

2

Remove the following in accordance with the factory service manual.

- RHS Mud flap (If fitted to vehicle)
- RHS Inner guard liner
- RHS Flare (If fitted to vehicle)
- Air cleaner assembly

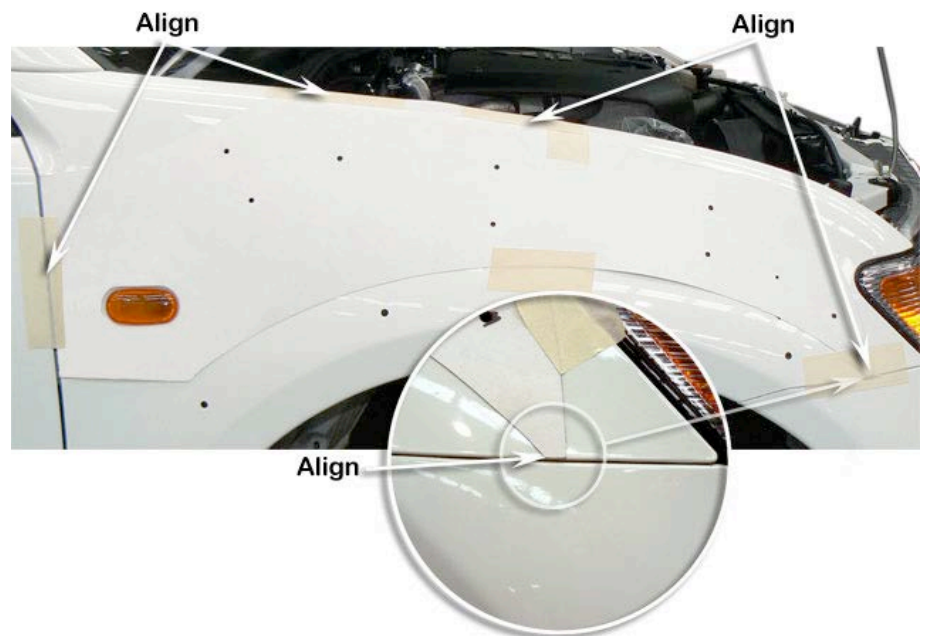
3

Remove and discard air cleaner entry duct and radiator overflow bottle (retain coolant).

4

Tape the template (Item 25) to the rear, upper edges and front of the right hand side guard panel as shown. With the template correctly aligned on the guard panel, use a felt tip pen to mark all hole positions.

Remove the Template.

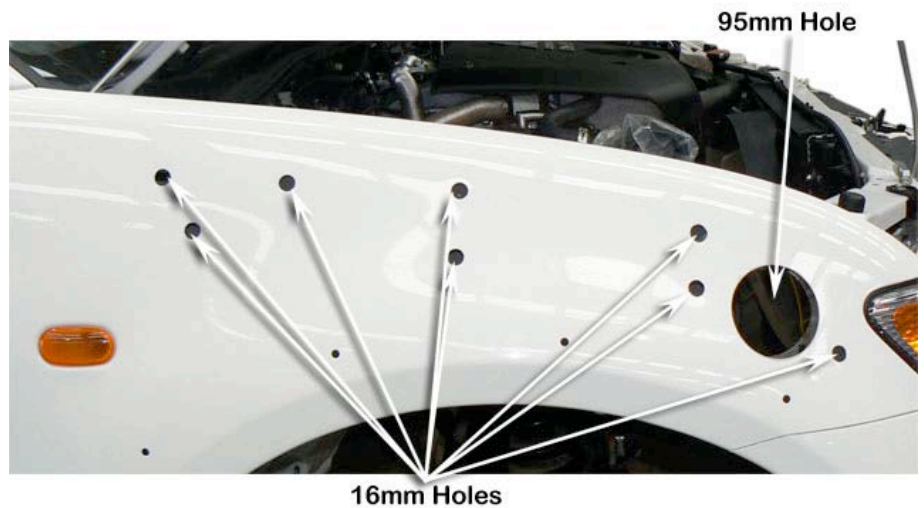


5 Drill a pilot hole for each marked hole position.

Using the 95mm hole saw, drill the main hole square to the guard panel surface - (hole saw cutting on both top and bottom surfaces of the guard panel).

Using the step drill, drill the 8 mounting hole positions to 16mm.

Deburr and paint holes to prevent rust.

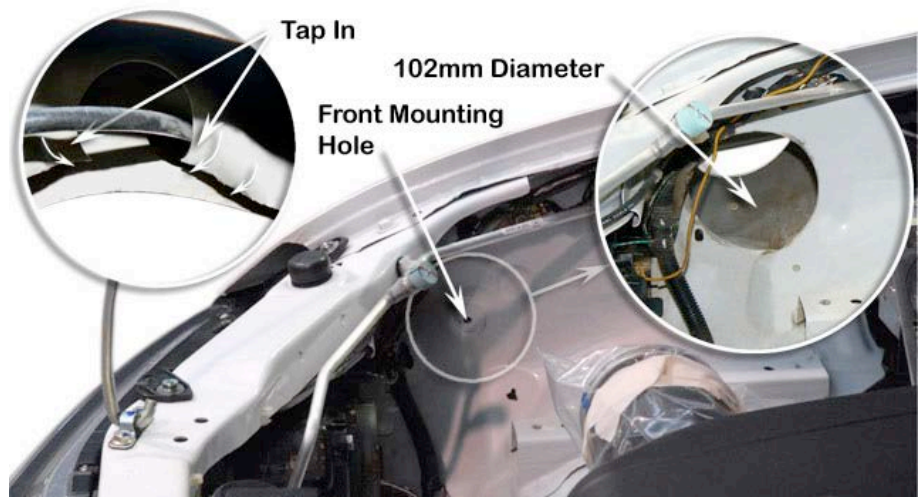


5 Use the overflow bottle front mounting hole as a centering guide for drilling the inner guard hole.

Use the 102mm hole saw to drill the inner guard hole and internal panel.

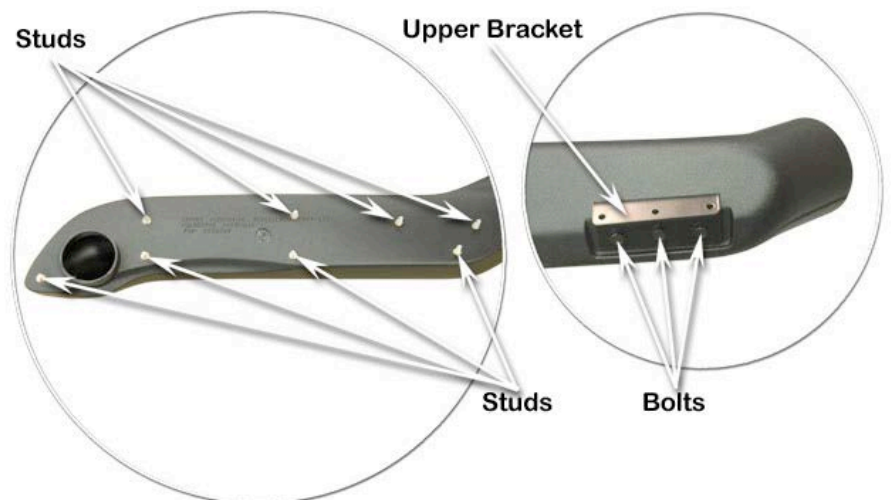
Deburr holes then gently tap the two sharp edges created using a piece of timber and a hammer as shown to prevent any damage occurring to the air entry hose when installed.

Paint holes to prevent rust.



6 Fasten the Upper Mounting Bracket (Item 3) to the Snorkel Body (Item 1) and secure with 3 x 6mm Hex Bolts (Item 4).

Apply Loctite to all 8 mounting studs (Item 7) and install studs finger tight into the snorkel body (Item 1) mounting inserts.



- 7** Place a strip of masking tape along the A-Pillar panel.

Carefully install the snorkel body (Item 1) onto the guard panel. With the snorkel body correctly positioned, mark the position of the three upper mounting bracket hole positions on the A-Pillar.



- 8** Remove the snorkel body (Item 1) from the vehicle. Remove the upper mounting bracket (Item 3) from the snorkel body.

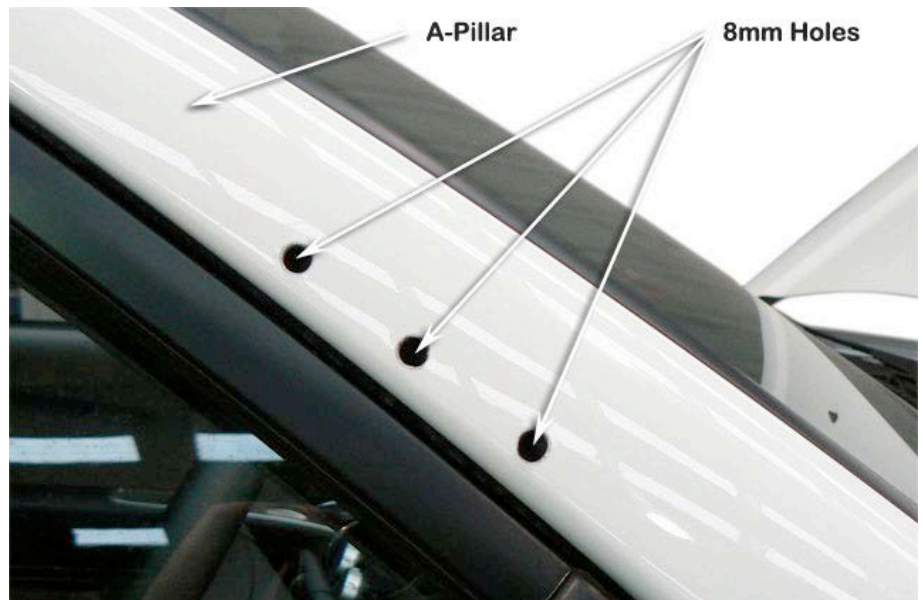
- 9** Drill a pilot hole for each of the three marked hole positions on the A-Pillar.

Drill each hole to 8mm diameter.

NB: Extreme care must be taken when drilling the 3 A-Pillar mounting hole positions. Ensure that the drill bit is just long enough to drill through the thickness of the A-Pillar panel and no further.

Deburr and paint the holes.

Install the plastic inserts (Item 6) into the upper mounting bracket holes in the A-Pillar.

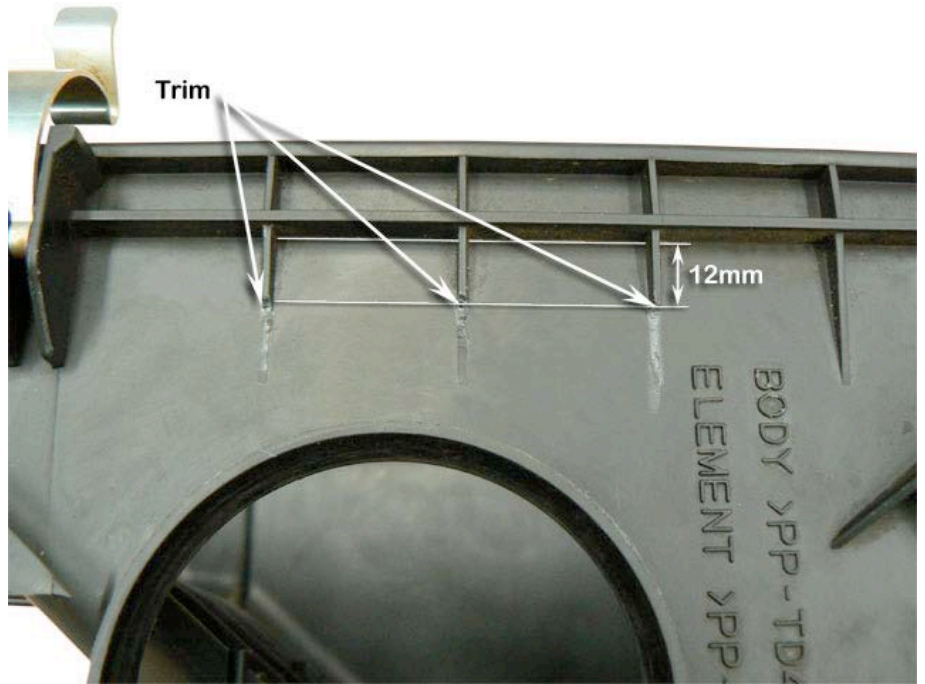


- 10** Secure the upper mounting bracket (Item 3) to the A-Pillar using 3 x self tapping screws (Item 5)

11

Use a sharp knife to trim three of the front air cleaner housing ribs to approximately 12mm in length, as shown.

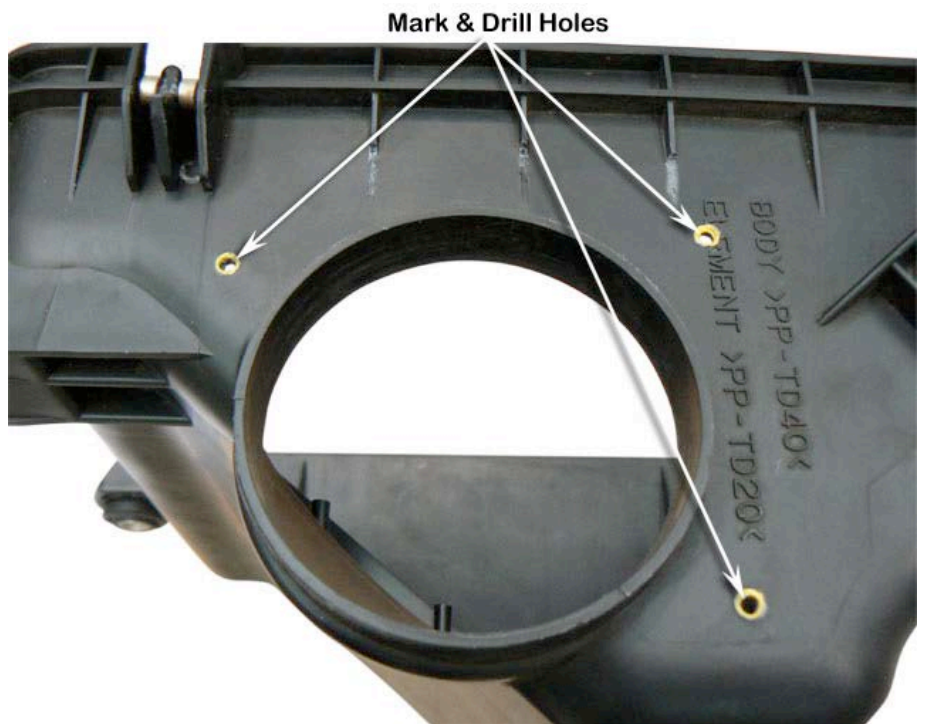
This will ensure that the air cleaner adaptor (Item 12) sits flat against the air cleaner housing.



12

Position and align the air cleaner adaptor (Item 12) over the air cleaner inlet snout and mark the 3 hole positions.

Remove the air cleaner adaptor and drill the three marked hole positions with a 5mm drill bit.

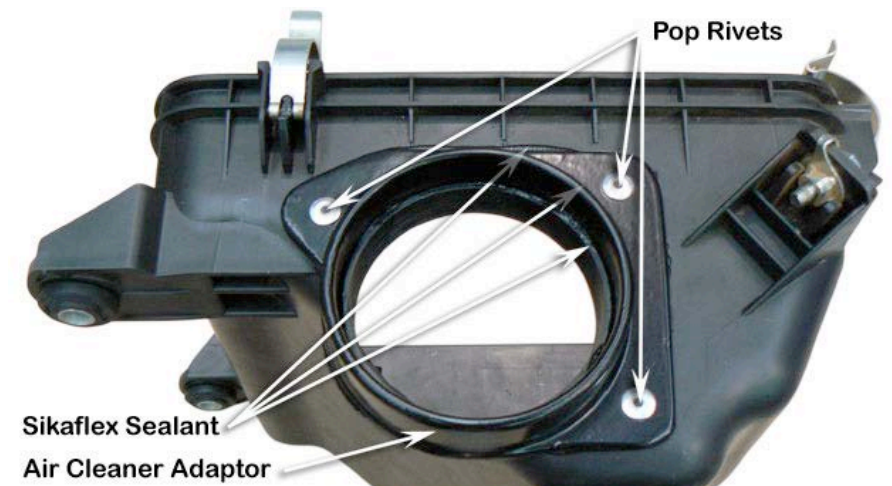


13

Apply a liberal amount of adhesive sealant to the air cleaner adaptor flange (Item 12) and around the external surface of the air cleaner inlet snout.

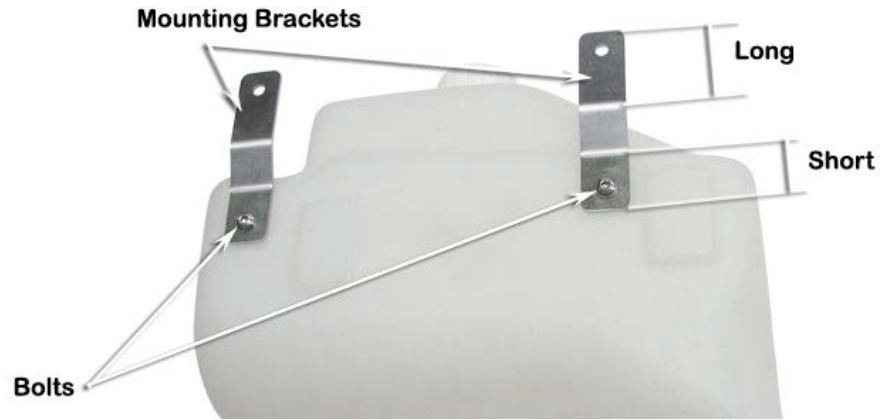
Insert all three pop rivets (Item 13) and then secure the air cleaner adaptor to the air cleaner housing.

Clean up any excessive sealant to produce a neat finish.



14

Install the two overflow bottle mounting brackets (Item 17) to the radiator overflow bottle (Item 15) and secure with button head bolts (Item 18).

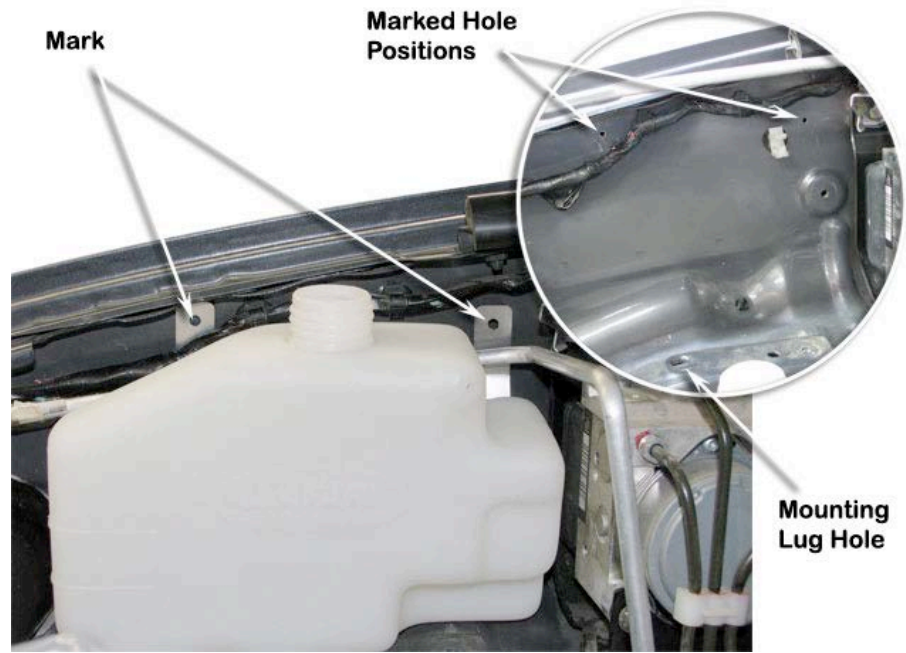


15

Unclip the air conditioning pipe from the panel support clip and move any wiring that may be in the way.

Place the overflow bottle assembly against the engine bay panel and guide the overflow bottle mounting lug into the mounting lug hole. With the overflow bottle correctly positioned, mark the mounting bracket hole positions onto the panel.

Remove the overflow bottle and drill the two hole positions with a 3.5mm drill bit.



16

Install the spring clamp (Item 20) over the end of the overflow extension hose (Item 22) and install the extension hose onto the overflow bottle (Item 15).



17 Install the air entry hose (Item 11) through the inner guard hole. Position a 80/100mm hose clamp (Item 14) at each end of the hose.

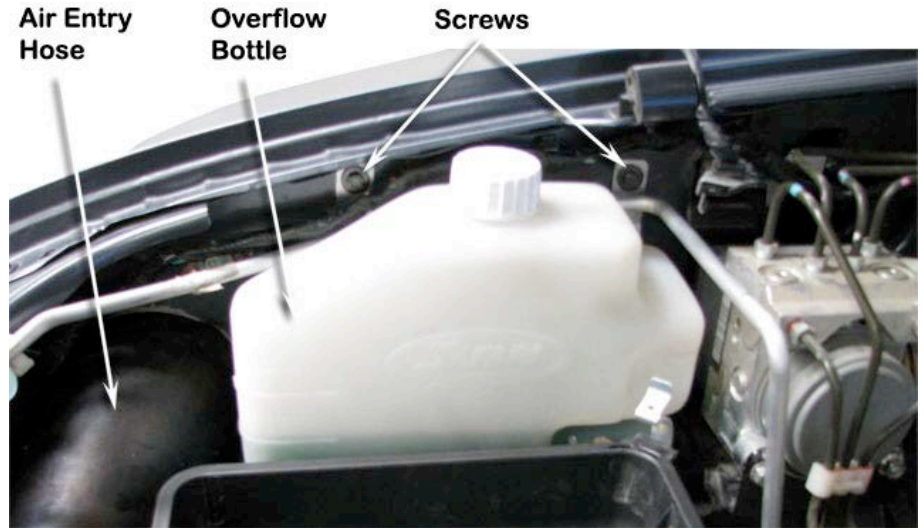
Install the overflow bottle into position and route the extension hose (Item 22) under the air entry hose and out towards the front of the engine bay.

Install the air cleaner base and fasten with the original mounting bolts.

Loosely install the air entry hose (Item 11) onto the air cleaner adaptor (Item 12).

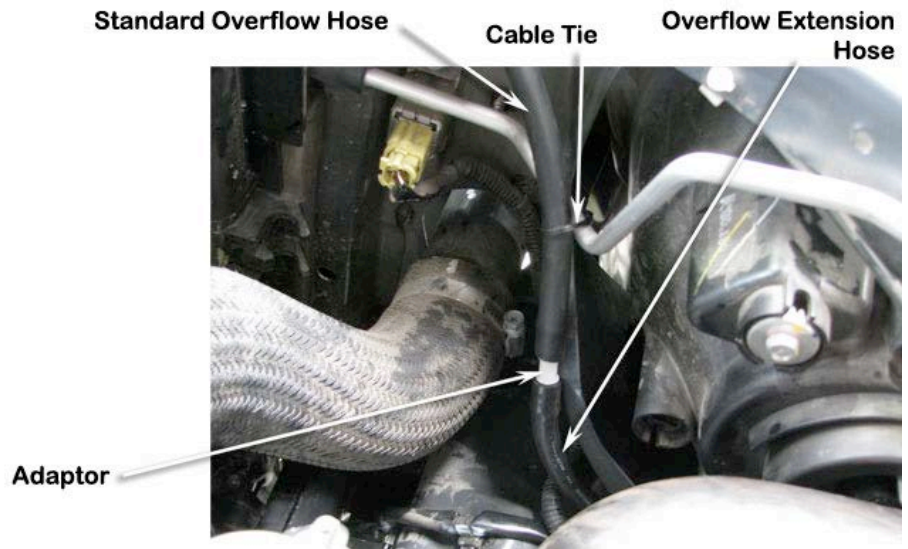
Secure the overflow bottle into position with two self tapping screws (Item 19).

Secure the air conditioning pipe back into the pipe support clips.



18 Route the overflow extension hose to meet with the standard overflow hose. Trim the standard overflow hose to the required length and join the two hoses together with the plastic adaptor (Item 21).

Secure the overflow extension hose with cable ties (Item 23).



19 With the air entry hose (Item 11) positioned loosely, carefully guide the snorkel body outlet snout into the air entry hose and install the snorkel body to the guard panel.

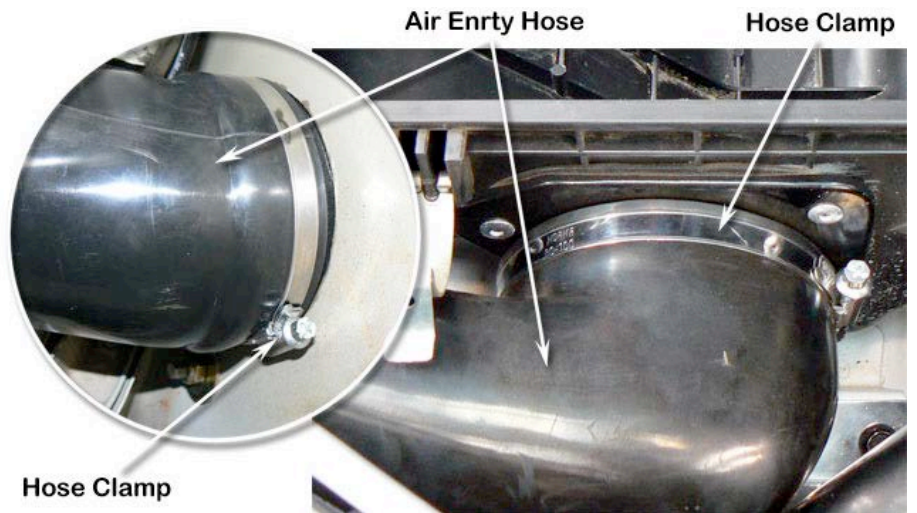
Align the snorkel body to the upper mounting bracket and the guard panel. When correctly aligned, fasten the snorkel body to the guard panel with body washers (Item 8 on the upper mounting studs & Item 9 on the lower mounting studs) and Nyloc nuts (Item 10).

Fasten the snorkel body to the upper mounting bracket with 6mm x 14mm hex bolts (Item 4).



20

Ensure that the air entry hose is correctly positioned onto the snorkel body snout and air cleaner adaptor. Orientate the 80/100mm hose clamps (Item 14) into position and tighten.



21

Install the genuine air cleaner element, air cleaner housing lid and connect the air mass sensor wiring plug.

Refill the overflow bottle with the radiator coolant retained previously and top up if necessary. Install the overflow bottle cap (Item 16).



22 Install RHS inner guard liner, RHS Flare (If fitted to vehicle), and any other items that may have been removed during the snorkel installation process.

23

Loosely install the black hose clamp (Item 24) to the base of the air ram assembly (Item 2). Install the Air ram assembly onto the snorkel body.

Align the air ram assembly and tighten the black hose clamp (Item 24).



NB It is the installer's responsibility to ensure that all connections are water tight.