

UNEK 4x4
AUSTRALIA
OFF ROAD ACCESSORIES

SKU: JK-FB-B-ASM0



Fitting Instructions

Jeep JK Wrangler 2007 on

Baja Bar

***Australia's Best Off Road Products
Created... Not Cloned***

Contents

WHY UNEEK	3
IMPORTANT INFORMATION	4
COMPONENTS AND PARTS	5
COMPONENTS AND PARTS	6
STEP 1	7
STEP 2	7
STEP 3	7
STEP 4	7
STEP 5	8
STEP 6	8
STEP 7	8
FINISHED PRODUCT	9

Why Uneek

Australian Designed and Built

All our products are designed and manufactured right here in Australia, allowing us to have better lead times and better quality control than companies manufacturing overseas. By supporting us you're supporting to grow the Australian economy and our brand.

Uneek Styling

We do not design our bars to look the same across the vehicle range. We fully develop our own product to individually suit each vehicle. We take time in designing from scratch and then test all our bars to comply with all relevant ADRs and Australian Standards.

Lightweight Through Smart Engineering

Having a steel bar doesn't mean you have to add more weight than is required to the front of your vehicle. Our engineering practises ensure we have the right protection, designed the right way to ensure protection is at its maximum and weights at its minimum.

Proven Off Road

We take our products out and test them right here in the heart of our country in our Australian conditions so we know our products can withstand anything you throw at them.

Increased Approach Angles

Our bars are designed to give you the best advantage while off road, with increased approach angles means you can tackle those tough and steep angles better than you could with the original setup or other alternatives.

Warranty

Uneek 4x4 back itself as Australia's leading steel bull bar manufacturer. This is why we provide you with the best steel bar warranty in Australia - 5 years.

Important Information



PLEASE READ BEFORE INSTALLATION.

- When installed in accordance with these instructions, the front protection bar does not affect operation of the SRS airbag.
- This product must be installed exactly as per these instructions using only hardware supplied
- In the event of damage to any bull bar component, contact Uneek 4x4 Pty Ltd for options. Repairs or modifications to the impact absorption system must not be attempted.
- Do not use this product for any vehicle make or model, other than specified on these instructions.
- Do not remove labels from this product.
- This product or its fixings must not be modified in any way.
- The installation of this product is recommended by trained personnel.
- These instructions are correct as at the publication date. Uneek 4x4 Pty Ltd cannot be held responsible for the impact of any changes subsequently made by the vehicle manufacturer.
- During installation, it is the duty of the installer to check correct operation/ clearances of all components.
- Optional tow points are designated as tow points only. Use these in a recovery at your own risk.
- Optional tow points should not be fitted to a vehicle used on Australian public roads. These are for private use only.
- Installation time is estimated at 1 hour including removing factory bumper.



EYE & EAR PROTECTION REQUIRED



DRILLING REQUIRED



TWO PERSON LIFT REQUIRED



TORQUE SETTING



CUTTING OR GRINDING REQUIRED

FASTENER TORQUE SETTINGS:

M6 – 9Nm (4lb ft)

M8 – 22Nm (16lb ft)

M10 – 44Nm (32lb ft)

M12 – 77Nm (57lb ft)

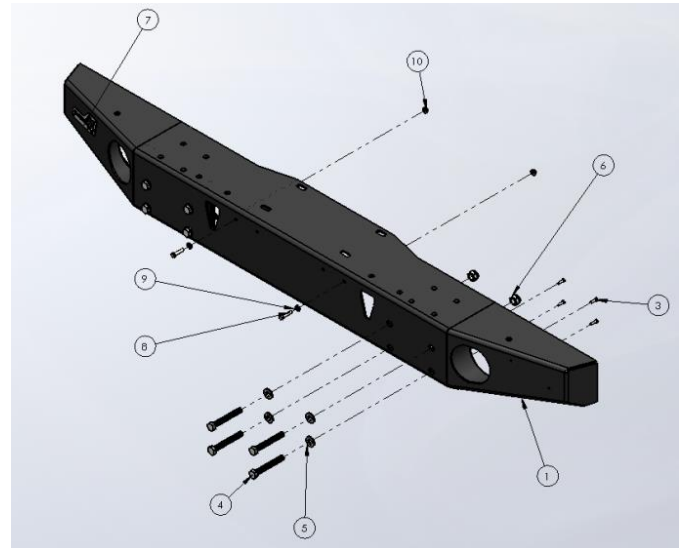
TOOLS REQUIRED:

Hand spanners, socket set, Philips head screwdriver and Allen keys.

Components and parts

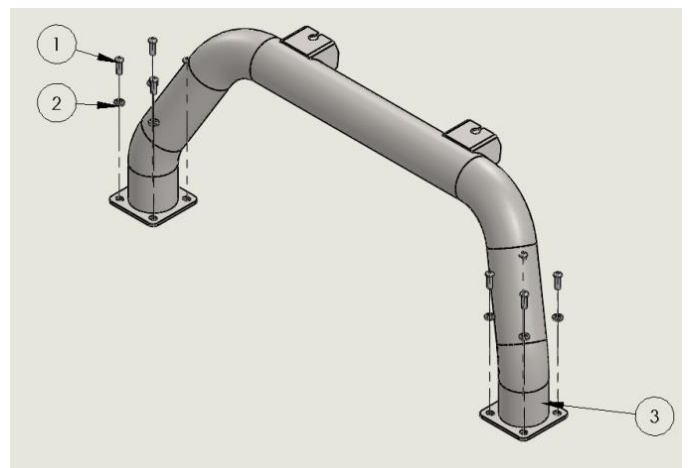
Baja Bar

ITEM NO.	PART NUMBER	DESCRIPTION	QTY.
1	JK-FB-B-ASM1	Weldment front bar budget	1
2	M4 NUTSERT	M4 NUTSERT	8
3	M4 x 16 pan head screw	M4 x 16 Pan head screw z/p	8
4	m12 x 90 hex bolt HT Zinc	M12 X 90 HEX BOLT 8.8 Z/P	8
5	M12 HD WASHER	M12 HD WASHER	16
6	M12 Nyloc nut	M12 NYLOC NUT	8
7	U4X4-LOGO PLATE- 1	LOGO PLATE-1	1
8	M6 x 20 HEX BOLT	M6 X 20 HEX BOLT ZP	2
9	m6 washer	m6 washer	2
10	M6 FLANGE NUT	M6 FLANGE NUT	2



Optional Top Hoop

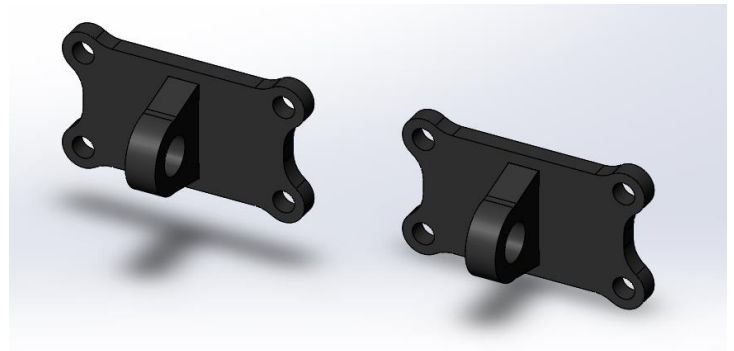
ITEM NO	PART NUMBER	DESCRIPTION	QTY
1	JK-FB-B-ASM3	BUDGET BAR TOP HOOP ASSY	1
2	M8X25 BHCS	M8X25 BUTTON HEAD CAP SCREW	8
3	M8 WASHER	M8 WASHER	8



Components and parts

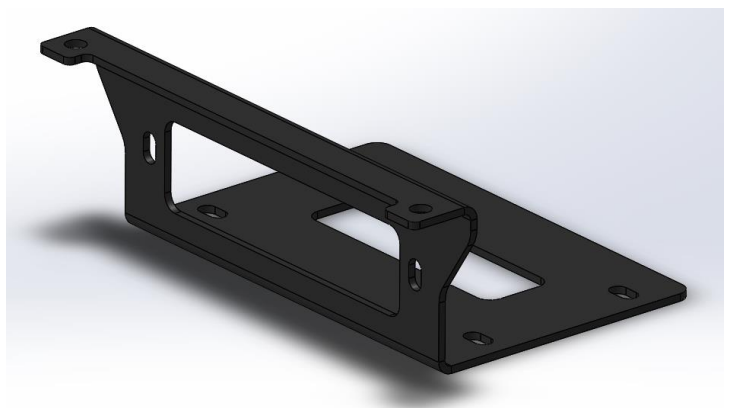
Optional Tow Hooks

Item No	Part No	Description	Qty
1	JG-TH-ASM	TOW HOOKS	2



Optional Winch Plate

Item No	Part No	Description	Qty
1	JG-FB-OR-3	WINCH PLATE	1



Step 1

Remove original plastic bumper and all hardware behind as per your factory service manual. Unplug your fog lights loom and leave wires hanging as these will be reused later. Remove your fog lights from the plastic bumper.



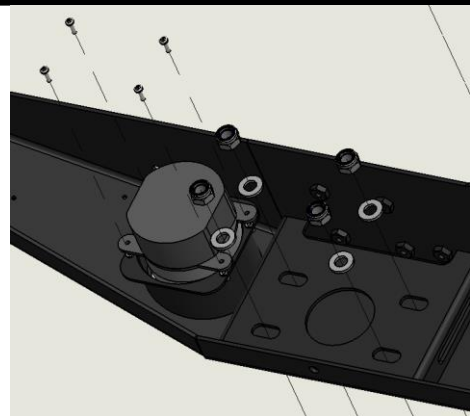
Step 2

The picture to the right shows what your car will look like with the factory bumper and hardware removed.



Step 3

Line up your stock fog lights with the mounting holes and secure with M4 pan head screws.

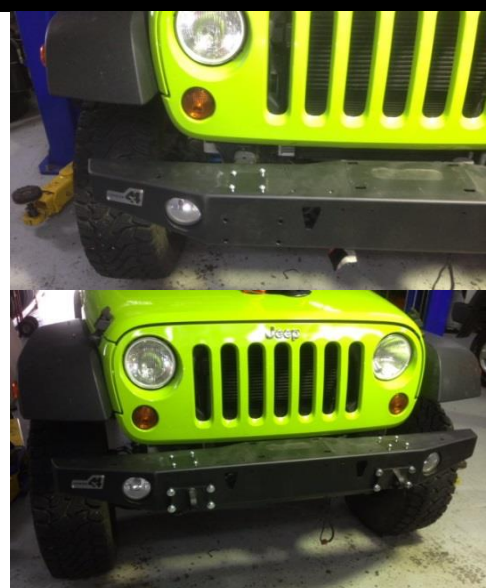


Step 4

This step requires the help of a friend.

Lift bar up to your jeep with your friend and feed an M12 bolt with and washer into the bar through the chassis. Hand tighten bolts to hold the bar on the jeep, and then repeat for other side. Proceed to put all the bolts in through chassis. Torque up each bolt

If purchased with optional tow hooks only use these on private property as they are not ADR compliant on Australian Roads. When fitting feed bolts through tow hooks and torque up. Plug in fog light loom.



Step 5

When fitting a winch you must purchase the optional winch plate which sits on top of the bar and uses the supplied bolts from the winch to mount to the top of the bar and for the fairlead.

Torque down bolts from the inside once the winch is on top.



Step 6

If fitting the optional top hoop, use supplied M8 x 30 button head cap screws and washer and torque down into the welded nuts in the bar.



Step 7

Refit number plate with M6 x 20 bolt washer and flange nut on the inside and you're finished.



Finished Product



Revised: 06/09/2019

***Australia's Best
Off Road Products
Created... Not Cloned***

20 Gateway Drive, Carrum Downs, VIC, 3201

1800 806 952

www.uneek4x4.com.au

