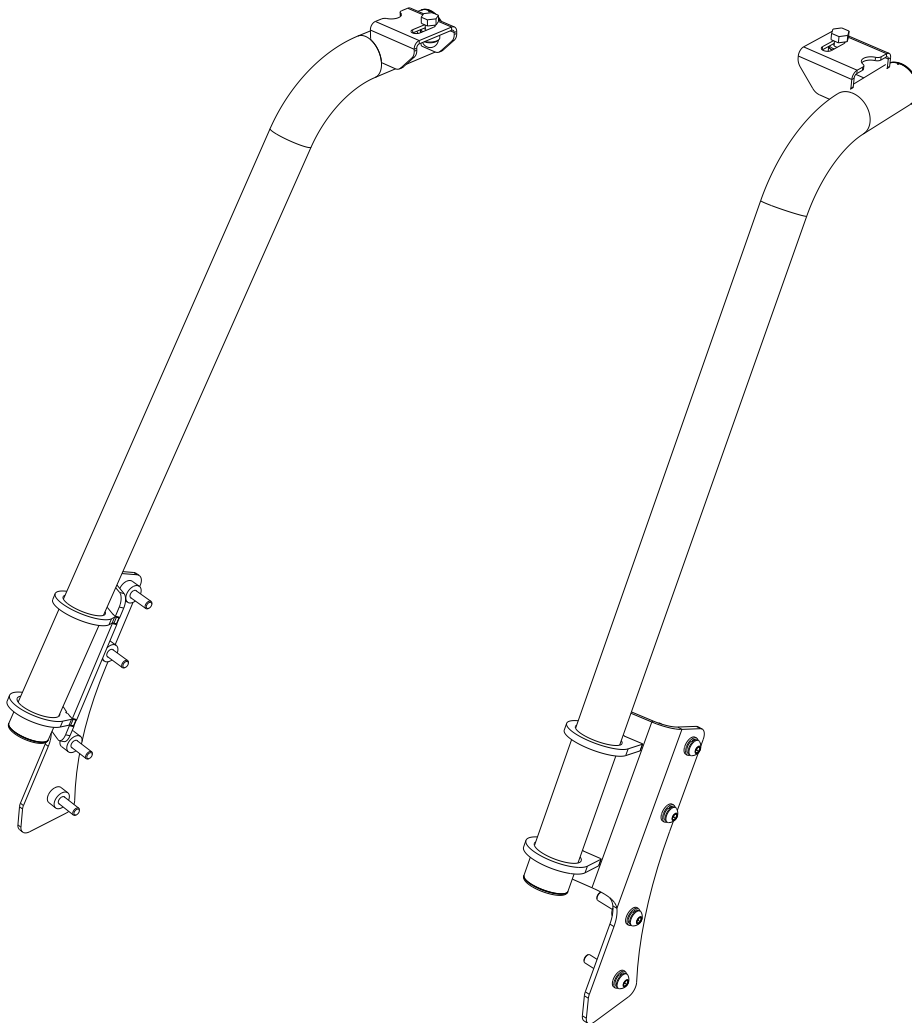


FRONT RUNNER

JEEP WRANGLER JK 2 DOOR & 4 DOOR (2007 - 2018) FRONT PILLAR BRACKETS

ENG

FAJK009



READ ME !

Thank you for purchasing Front Runner Jeep Wrangler JK Front Pillar Brackets.

Before you start, take a moment to familiarize yourself with the Fitting Instructions and the components received.

Refer to Page 2 for a list of all the components, quantities and tools required.

IMPORTANT WARNING!

IT IS CRITICAL THAT ALL FRONT RUNNER PRODUCTS BE PROPERLY AND SECURELY ASSEMBLED AND ATTACHED TO YOUR VEHICLE. IMPROPER ATTACHMENT COULD RESULT IN AN AUTOMOBILE ACCIDENT, AND COULD CAUSE SERIOUS BODILY INJURY OR DEATH. YOU ARE RESPONSIBLE FOR ASSEMBLING AND SECURING ALL FRONT RUNNER PRODUCTS TO YOUR VEHICLE, CHECKING THE ATTACHMENTS PRIOR TO USE, AND PERIODICALLY INSPECTING THE PRODUCTS FOR ADJUSTMENT, WEAR AND DAMAGE. THEREFORE, YOU MUST READ AND UNDERSTAND ALL OF THE INSTRUCTIONS AND PRECAUTIONS SUPPLIED WITH YOUR FRONT RUNNER PRODUCT PRIOR TO INSTALLATION OR USE. IF YOU DO NOT UNDERSTAND ALL OF THE INSTRUCTIONS AND CAUTIONS, OR IF YOU HAVE NO MECHANICAL EXPERIENCE AND ARE NOT THOROUGHLY FAMILIAR WITH THE INSTALLATION PROCEDURES, YOU SHOULD HAVE THE PRODUCT INSTALLED BY A PROFESSIONAL INSTALLER OR OTHER QUALIFIED PERSONNEL.

NOTE: Front Runner will not be responsible for any damage caused by the failure to install the product according to these instructions.

Please call us if you have any questions about the installation of this product.

1

GET ORGANIZED

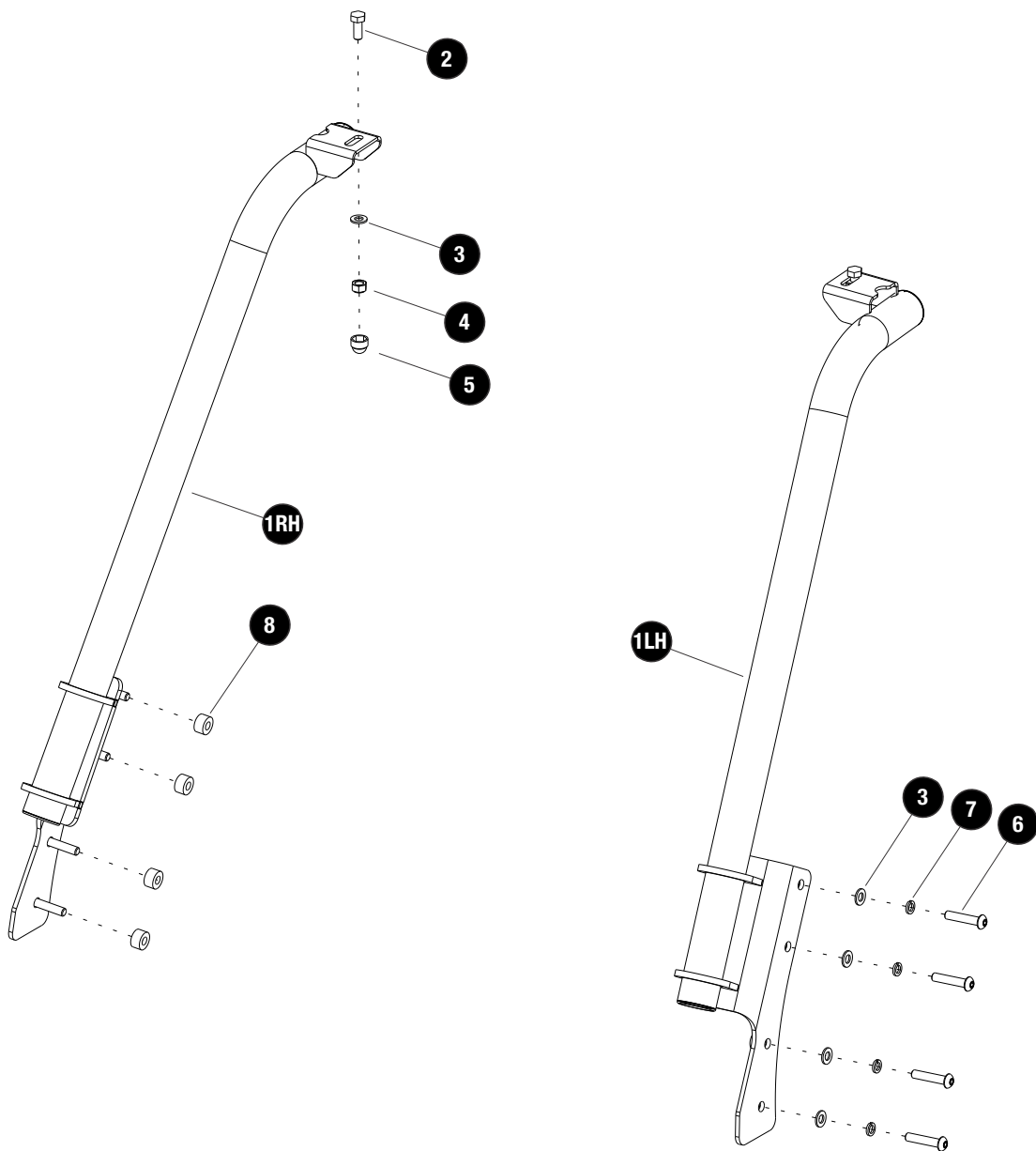
IN THE BOX

1	2 X	Front Pillar Bracket - 1LH + 1RH
2	2 X	M8 x 20 Hex Bolt
3	10 X	M8 x 16 x 1.6SS Flat Washer
4	2 X	M8 Nyloc Nut
5	2 X	M8 Nut Cap
6	8 X	M8 x 45 Button Head Bolt
7	8 X	M8 Spring Washer
8	8 X	Spacer 8.2 x 18 x 10

TOOLS NEEDED

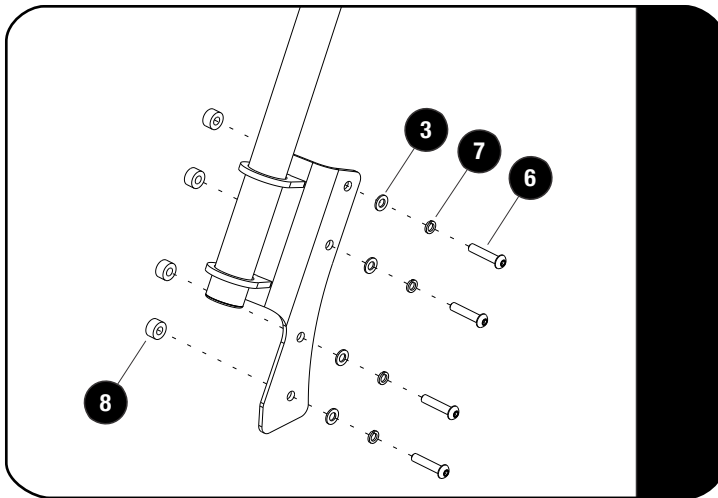


FIGURE 1.1



2**FIT AND SECURE**

2.1

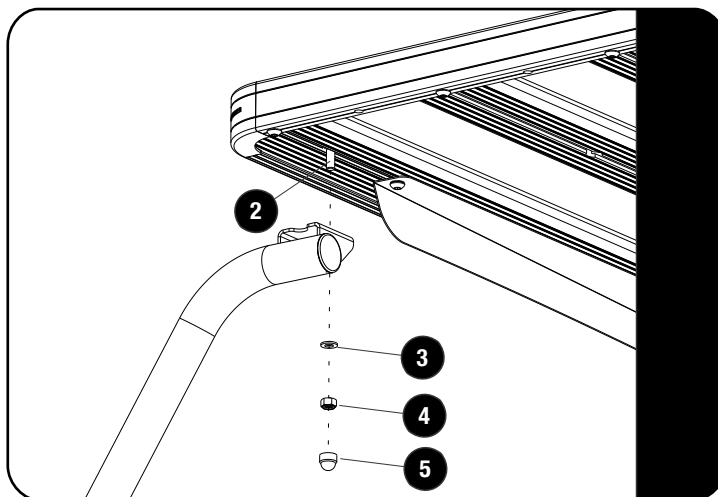


Align the holes in the Front Pillar Bracket mount plate with the holes on the vehicle. Loosely assemble the Pillar Bracket to the vehicle using M8 x 45 Button Head Bolts, M8 SS Spring Washers, M8 x 16 x 1.6SS Flat Washers and the spacers (Items 3, 6, 7 & 8) as shown.

Make sure the Front Pillar Brackets are straight, using the door shut line as a guide before fully tightening the four M8 Button Heads Bolts.

Do this on both left and right side of the vehicle.

2.2



Fit your Roof Rack to the Front Support Arms using M8 x 20 Hex Bolts, M8 x 16 x 1.6SS Flat Washers and M8 Nyloc Nuts (Items 2, 3 & 4) as shown.

Center the rack and tighten fully. Use M8 Nut Caps (Item 5) to finish off the nuts.

3**FINISH**

Congratulations! You did it. Take a step back and admire your work!

4**INSTALL OTHER VEHICLE AND RACK ACCESSORIES**

Now's the time to visit your favorite Front Runner Dealer in person or online.

Be sure to tag us. We love to see our gear in action! #FrontRunnerOutfitters #BornToRoam

Share your adventures on:

