

UNEK44
AUSTRALIA
OFF ROAD ACCESSORIES

SKU: GP-FS-ASM0



Fitting Instructions

Universal Fit

Fridge Slider 50LT and Below

***Australia's Best Off Road Products
Created... Not Cloned***

Contents

WHY BUY UNEEK	3
IMPORTANT INFORMATION	4
COMPONENTS AND PARTS	5
STEP 1	6
STEP 2	6
STEP 3	6
STEP 4	6
STEP 5	7
STEP 6	7
STEP 7	ERROR! BOOKMARK NOT DEFINED.
STEP 8	ERROR! BOOKMARK NOT DEFINED.
STEP 9	ERROR! BOOKMARK NOT DEFINED.
STEP 10	ERROR! BOOKMARK NOT DEFINED.
STEP 11	ERROR! BOOKMARK NOT DEFINED.
STEP 12	ERROR! BOOKMARK NOT DEFINED.
STEP 13	ERROR! BOOKMARK NOT DEFINED.
FINISHED PRODUCT	8

Why Uneek

Australian Designed and Built

All our products are designed and manufactured right here in Australia, allowing us to have better lead times and better quality control than companies manufacturing overseas. By supporting us you're supporting to grow the Australian economy and our brand.

Uneek Styling

We do not design our bars to look the same across the vehicle range. We fully develop our own product to individually suit each vehicle. We take time in designing from scratch and then test all our bars to comply with all relevant ADRs and Australian Standards.

Lightweight Through Smart Engineering

Having a steel bar doesn't mean you have to add more weight than is required to the front of your vehicle. Our engineering practises ensure we have the right protection, designed the right way to ensure protection is at its maximum and weights at its minimum.

Proven Off Road

We take our products out and test them right here in the heart of our country in our Australian conditions so we know our products can withstand anything you throw at them.

Increased Approach Angles

Our bars are designed to give you the best advantage while off road, with increased approach angles means you can tackle those tough and steep angles better than you could with the original setup or other alternatives.

Warranty

Uneek 4x4 back itself as Australia's leading steel bull bar manufacturer. This is why we provide you with the best steel bar warranty in Australia - 5 years.

Important Information



PLEASE READ BEFORE INSTALLATION.

- During installation, it is the duty of the installer to check correct operation/ clearances of all components.
 - Installation time is estimated at 15 min.
 - The Slides are rated to 125kg.
 - The Slides extend out 700mm.



EYE & EAR PROTECTION REQUIRED



DRILLING REQUIRED



TWO PERSON LIFT REQUIRED



TORQUE SETTING



CUTTING OR GRINDING REQUIRED

FASTENER TORQUE SETTINGS:

M6 – 9Nm (4lb ft)

M8 – 22Nm (16lb ft)

M10 – 44Nm (32lb ft)

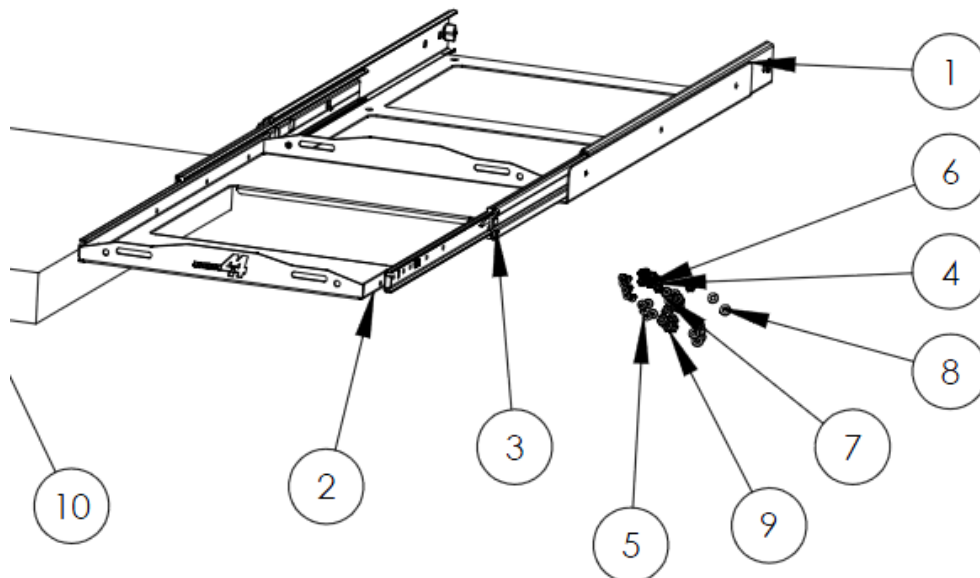
M12 – 77Nm (57lb ft)

TOOLS REQUIRED:

Hand Spanners and Allen Keys (Hex)

Components and parts

ITEM NO.	PART NUMBER	DESCRIPTION	QTY.
1	GP-FS-2	FRIDGE SLIDE FRAME	1
2	GP-FS-1	FRIDGE SLIDE TRAY	1
3	DSCHMD700MML	LOCKABLE 700MM 125KG DRAWER SLIDES, PAIR	1
4	M5 X 12 CSK SS	M5 x 12 csk machine screw, 304 SS	8
5	M6 X 16 CSK SS	M6 x 16 csk machine screw 304 SS	6
6	M5 NYLOCK NUT	M5 NYLOCK NUT	8
7	m5 washer	m5 washer	8
8	m6 washer	m6 washer	6
9	M6 NYLOCK NUT	M6 NYLOCK NUT	6
10	SHIPPER 750 X 570 X 70	SHIPPER 750 X 570 X 70	1



Step 1

Unpack your fridge slide and confirm all the hardware is there.



Step 2

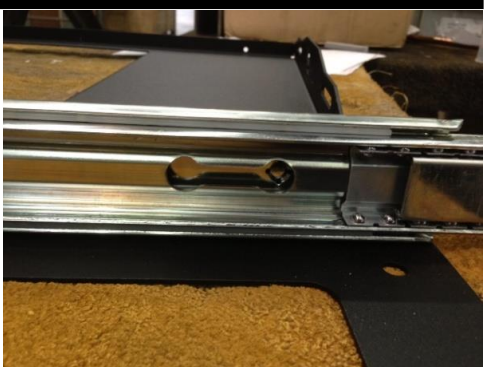
Find which slide is left and which is right. To tell the lockable tabs with a coloured plastic coating should operate down.

Open up the slides to reveal the mounting holes. Using the M6 hardware with the nuts on the outside attached each slide to the outer fridge slide frame.



Step 3

You will need to keep moving the slides to reveal more mounting holes.



Step 4

Once the slides are secured to the frame you will do the same to fit the tray to the inner slides.

Move the slides in and out to reveal the mounting holes. Use the M5 hardware for the tray.

The nuts go on the inside this time.



Step 5

Once it's all fitted and each nut and screw torqued up, you will need to test the operation of the slides to ensure smooth motion, and the locking mechanism work in the open and closed positions.



Step 6

When fitting the fridge slide to your vehicle mount it to a firm base with 6 screws (holes provided in frame).

Use suitable fasteners for the material you are fixing the frame to.

Make sure you strap down your fridge with a suitable strap prior to driving.



Finished Product



Revised: 27/08/2019

***Australia's Best
Off Road Products
Created... Not Cloned***

20 Gateway Drive, Carrum Downs, VIC, 3201

1800 806 952

www.uneek4x4.com.au

