

## READ ME !

Thank you for purchasing a Front Runner LED Light Mounting Bracket.  
Before you start, take a moment to familiarize yourself with the Fitting Instructions and the components received.  
Refer to Page 2 for a list of all the components, quantities and tools required.

## IMPORTANT WARNING!

IT IS CRITICAL THAT ALL FRONT RUNNER PRODUCTS BE PROPERLY AND SECURELY ASSEMBLED AND ATTACHED TO YOUR VEHICLE. IMPROPER ATTACHMENT COULD RESULT IN AN AUTOMOBILE ACCIDENT, AND COULD CAUSE SERIOUS BODILY INJURY OR DEATH. YOU ARE RESPONSIBLE FOR ASSEMBLING AND SECURING ALL FRONT RUNNER PRODUCTS TO YOUR VEHICLE, CHECKING THE ATTACHMENTS PRIOR TO USE, AND PERIODICALLY INSPECTING THE PRODUCTS FOR ADJUSTMENT, WEAR AND DAMAGE. THEREFORE, YOU MUST READ AND UNDERSTAND ALL OF THE INSTRUCTIONS AND PRECAUTIONS SUPPLIED WITH YOUR FRONT RUNNER PRODUCT PRIOR TO INSTALLATION OR USE. IF YOU DO NOT UNDERSTAND ALL OF THE INSTRUCTIONS AND CAUTIONS, OR IF YOU HAVE NO MECHANICAL EXPERIENCE AND ARE NOT THOROUGHLY FAMILIAR WITH THE INSTALLATION PROCEDURES, YOU SHOULD HAVE THE PRODUCT INSTALLED BY A PROFESSIONAL INSTALLER OR OTHER QUALIFIED PERSONNEL.

**NOTE:** Front Runner will not be responsible for any damage caused by the failure to install the product according to these instructions.  
Please call us if you have any questions about the installation of this product.

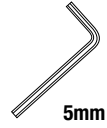
**1**

**GET ORGANIZED**

**IN THE BOX**

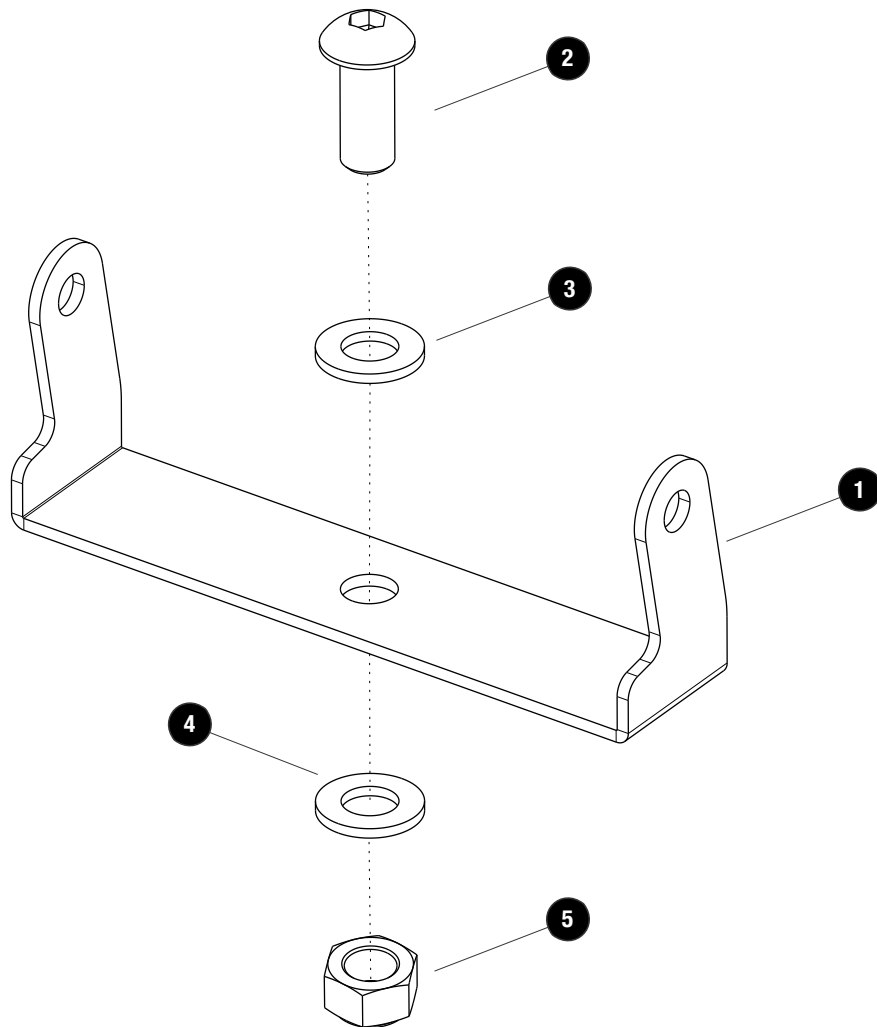
1	1 X	Mounting Bracket
2	1 X	M8 x 20 Button Head Bolt
3	1 X	M8 x 16 x 1.6SS Flat Washer
4	1 X	M8 Nylon Washer
5	1 X	M8 Nyloc Nut

**TOOLS NEEDED**



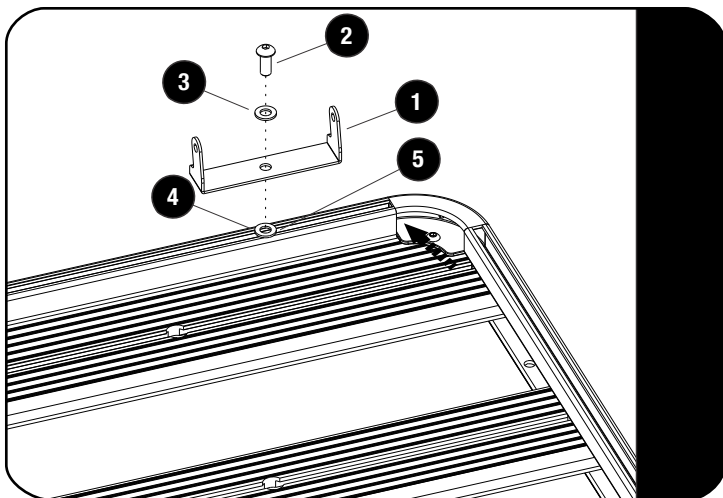
5mm

**FIGURE 1.1**



**2****FIT AND SECURE**

2.1



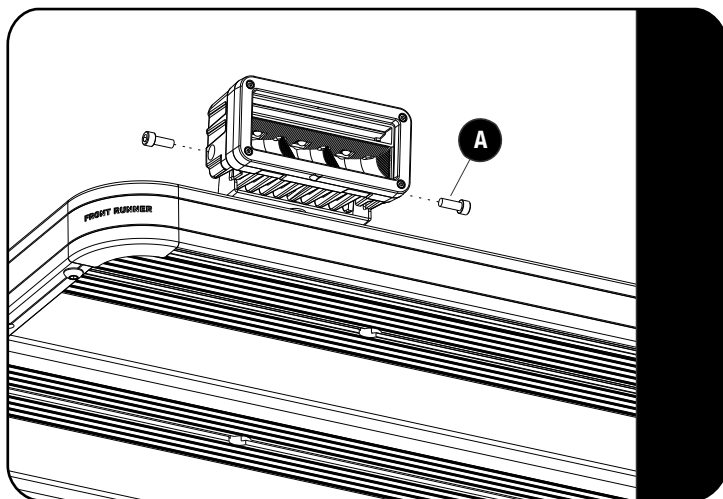
 Choose where on the rack you want to fit the LED light.

Slide an M8 Nyloc Nuts (Item 5) into the Side Profile.

Fit the Mounting Bracket (Item 1) using an M8 x 20 Button Head, M8 x 16 x 1.6SS Flat Washer & M8 Nylon Washer (Items 2, 3 & 4) as shown.

Fully tighten.

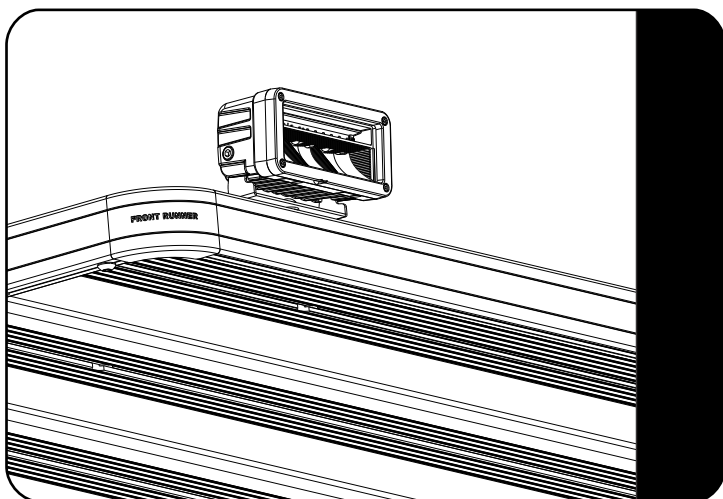
2.2



 Fit the LED light to the bracket as shown, using the fasteners supplied with the light.

A. M6 x 20 SS Cup Screw

2.3



3

### **FINISH**

Congratulations! You did it. Take a step back and admire your work!

4

### **INSTALL OTHER VEHICLE AND RACK ACCESSORIES**

Now's the time to visit your favorite Front Runner Dealer in person or online.

Be sure to tag us. We love to see our gear in action! #FrontRunnerOutfitters #BornToRoam

Share your adventures on: 