

INSTALLATION INSTRUCTIONS

2" REAR BUMP STOP EXTENSION SUITABLE FOR JEEP JT GLADIATOR



BOLT ON FITMENT

NO DRILLING REQUIRED FOR FITMENT TO REAR DIFF HOUSING



TESTED WITH BIG TYRES

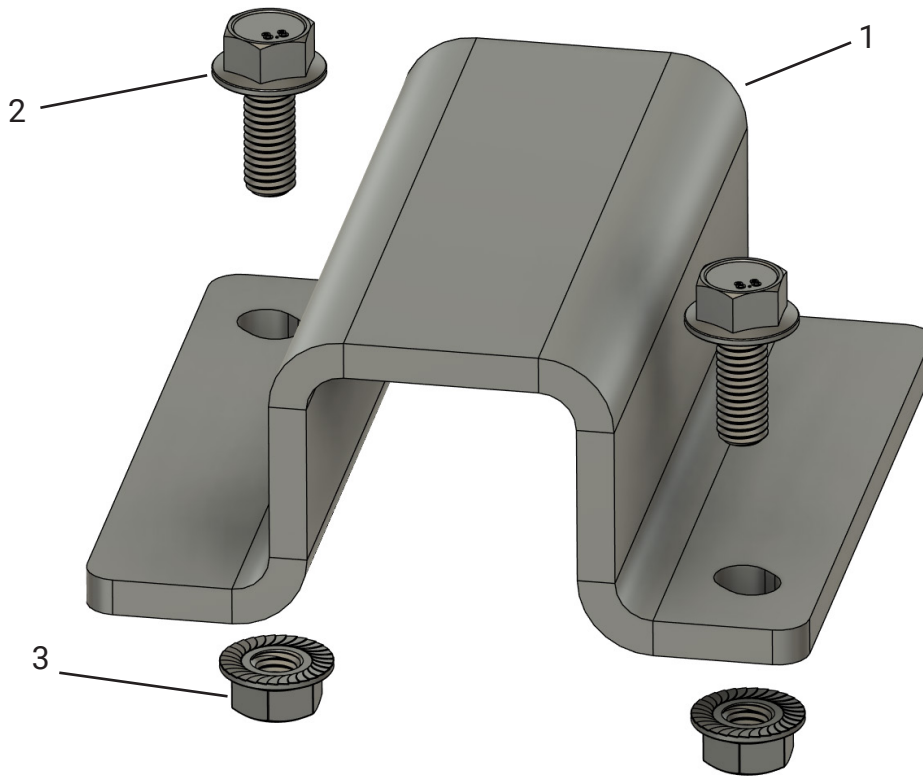
DESIGNED TO WORK WITH BIG TYRES & 2" OR MORE LIFT KITS



AUSTRALIAN MADE

AUSTRALIAN MADE FROM POWDERCOATED 6MM STEEL





COMPONENTS

ITEM	PART NO.	DESCRIPTION	QTY.
1	TT-JL-2INBSE-BRK	JT Gladiator Bump Stop Bracket	2
2	HTFBM820Z	M8 Zinc Plated Flange Bolt	4
3	FNM8Z	M8 Zinc Plated Flange Nut	4

TORQUE SETTINGS

M5 - 7Nm (5lb ft)
M6 - 9Nm (7lb ft)
M8 - 22Nm (16lb ft)
M10 - 44Nm (32lb ft)
M12 - 77Nm (57lb ft)

Note:
Follow manufacturer torque ratings for lug nuts and other vehicle specific mounting bolts.

TOOLS NEEDED

 13mm  Torque Wrench

Wear ear and eye protection at all times when using power tools

WARRANTY

This JT Gladiator Bump Stop Extension is warranted against defects in materials and workmanship for a period of twelve (12) months from the date of initial retail purchase. Do not use this bracket kit for anything other than it's intended purpose as a bump stop extension. Failure to follow these instructions or if any modifications to the product are made will void all warranty claims.

For more information visit <https://www.tough toys.com.au/about-us/warranty-policy/>

IMPORTANT

If you're looking to get the most out of your Jeep JT Gladiator, the Tough Toys 2-Inch Rear Bump Stop Extension Kit is a solid upgrade. Designed specifically for all Jeep Gladiator JT models, this kit ensures your rig's bump stops are extended properly, especially when paired with the lifted rear coil springs.

As of the publication date, these instructions are correct. Tough Brands Pty Ltd cannot be held responsible for the impact of any changes subsequently made by the vehicle or trailer manufacturer.

During installation, it is the duty of the installer to check the correct operation/clearances of all components.

Estimated installation time: 1hr.

PREPARATION

- 1 Remove all items from the packaging and check everything is included and nothing was damaged in transport.
Clean the bump stop pad area on the rear diff of the Jeep Gladiator and prepare the area for installation of the bump stop extension.
If items such as coil springs, wheels etc. are in the way of accessing and tightening the bolts for the extension brackets, remove these now.

BUMP STOP BRACKET

- 2 Install JT Gladiator Bump Stop Extension Bracket (1) to the rear differential housing of the vehicle. Using M8 Zinc Flange Bolt (2) and M8 Zinc Flange Nut (3), align and tighten bolts so the upper bump stop is in line with the JT Gladiator Bump Stop Extension Bracket (1).
Each JT Gladiator Bump Stop Extension Bracket (1) requires 2x M8 Zinc Flange Bolts (2) and 2x M8 Zinc Flange Nuts (3).
Install the opposite side extension bracket in the same manner as above.
Re-install coil springs, wheels etc and any other items that were removed in this installation.
Torque wheel nuts to manufacturer setting.



FINISH

- 3 Check that all fasteners are tight and nothing is in the way of getting pinched by the bump stop or coil springs. Refit any items that were removed during the installation process.
Congratulations! You did it. Take a step back and admire your work.